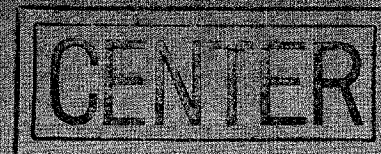


YAMAHA P-07

*Natural Sound Belt Drive Turntable
Three-Point Floating Suspension
Dynamic Balance Knife-edge Straight Tonearm
Semi-Automatic Operation, Slim/Sharp Design*



Revised

'89.3.30

OWNER'S MANUAL



Thank you for purchasing the YAMAHA P-07 belt drive turntable.

CONTENTS

SAFETY INSTRUCTIONS	1
CAUTION	2
NAMES OF THE PARTS AND THEIR FUNCTIONS	3
ASSEMBLING THE TURNTABLE AND TONEARM	4
MOUNTING THE HEADSHELL	5
ADJUSTING THE TONEARM BALANCE	5
ADJUSTING THE CARTRIDGE STYLUS TRACKING FORCE	6
ADJUSTING THE ANTI-SKATING FORCE	6
CONNECTIONS TO YOUR AMPLIFIER	7
USING THE CUEING LEVER	8
STYLUS REPLACEMENT	8
PLAYING RECORDS	9
TROUBLESHOOTING	10
SPECIFICATIONS	11

IMPORTANT!

Please record the serial number of your unit in the space below:

Model : P-07

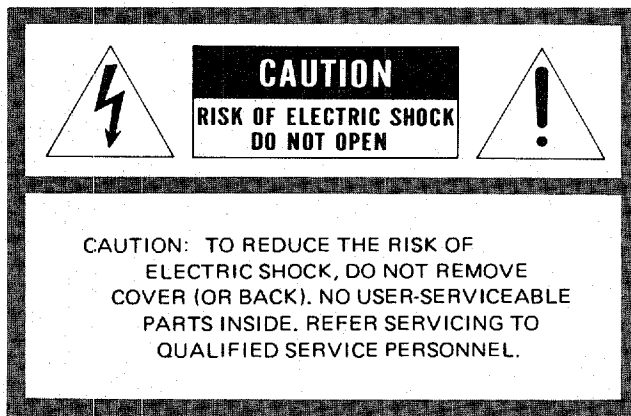
Serial No. :

The serial number is located on the rear of the unit.

Retain this Owner's Manual in a safe place for future reference.

WARNING

To prevent fire or shock hazard, do not expose this appliance to rain or moisture.



• Explanation of Graphical Symbols



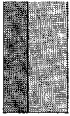
The lightning flash with arrowhead symbol, within an equilateral triangle, is intended to alert you to the presence of uninsulated "dangerous voltage" within the product's enclosure that may be of sufficient magnitude to constitute a risk of electric shock to persons.



The exclamation point within an equilateral triangle is intended to alert you to the presence of important operating and maintenance (servicing) instructions in the literature accompanying the appliance.

SAFETY INSTRUCTIONS

- 1** Read Instructions — All the safety and operating instructions should be read before the appliance is operated.
- 2** Retain Instructions — The safety and operating instructions should be retained for future reference.
- 3** Heed Warnings — All warnings on the appliance and in the operating instructions should be adhered to.
- 4** Follow Instructions — All operating and other instructions should be followed.
- 5** Water and Moisture — The appliance should not be used near water — for example, near a bathtub, washbowl, kitchen sink, laundry tub, in a wet basement, or near a swimming pool, etc.
- 6** Carts and Stands — The appliance should be used only with a cart or stand that is recommended by the manufacturer.
- 7** Wall or Ceiling Mounting — The appliance should be mounted to a wall or ceiling only as recommended by the manufacturer.
- 8** Ventilation — The appliance should be situated so that its location or position does not interfere with its proper ventilation. For example, the appliance should not be situated on a bed, sofa, rug, or similar surface that may block the ventilation openings; or placed in a built-in installation, such as a bookcase or cabinet that may impede the flow of air through the ventilation openings.
- 9** Heat — The appliance should be situated away from heat sources such as radiators, stoves, or other appliances that produce heat.
- 10** Power Sources — The appliance should be connected to a power supply only of the type described in the operating instructions or as marked on the appliance.
- 11** Power-Cord Protection — Power-supply cords should be routed so that they are not likely to be walked on or pinched by items placed upon or against them, paying particular attention to cords at plugs, convenience receptacles, and the point where they exit from the appliance.
- 12** Cleaning — The appliance should be cleaned only as recommended by the manufacturer.
- 13** Nonuse Periods — The power cord of the appliance should be unplugged from the outlet when left unused for a long period of time.
- 14** Object and Liquid Entry — Care should be taken so that objects do not fall into and liquids not spilled into the inside of the appliance.
- 15** Damage Requiring Service — The appliance should be serviced by qualified service personnel when:
 - A. The power-supply cord or the plug has been damaged; or
 - B. Objects have fallen, or liquid has been spilled into the appliance; or
 - C. The appliance has been exposed to rain; or
 - D. The appliance does not appear to operate normally or exhibits a marked change in performance; or
 - E. The appliance has been dropped, or the cabinet damaged.
- 16** Servicing — The user should not attempt to service the appliance beyond those means described in the operating instructions. All other servicing should be referred to qualified service personnel.

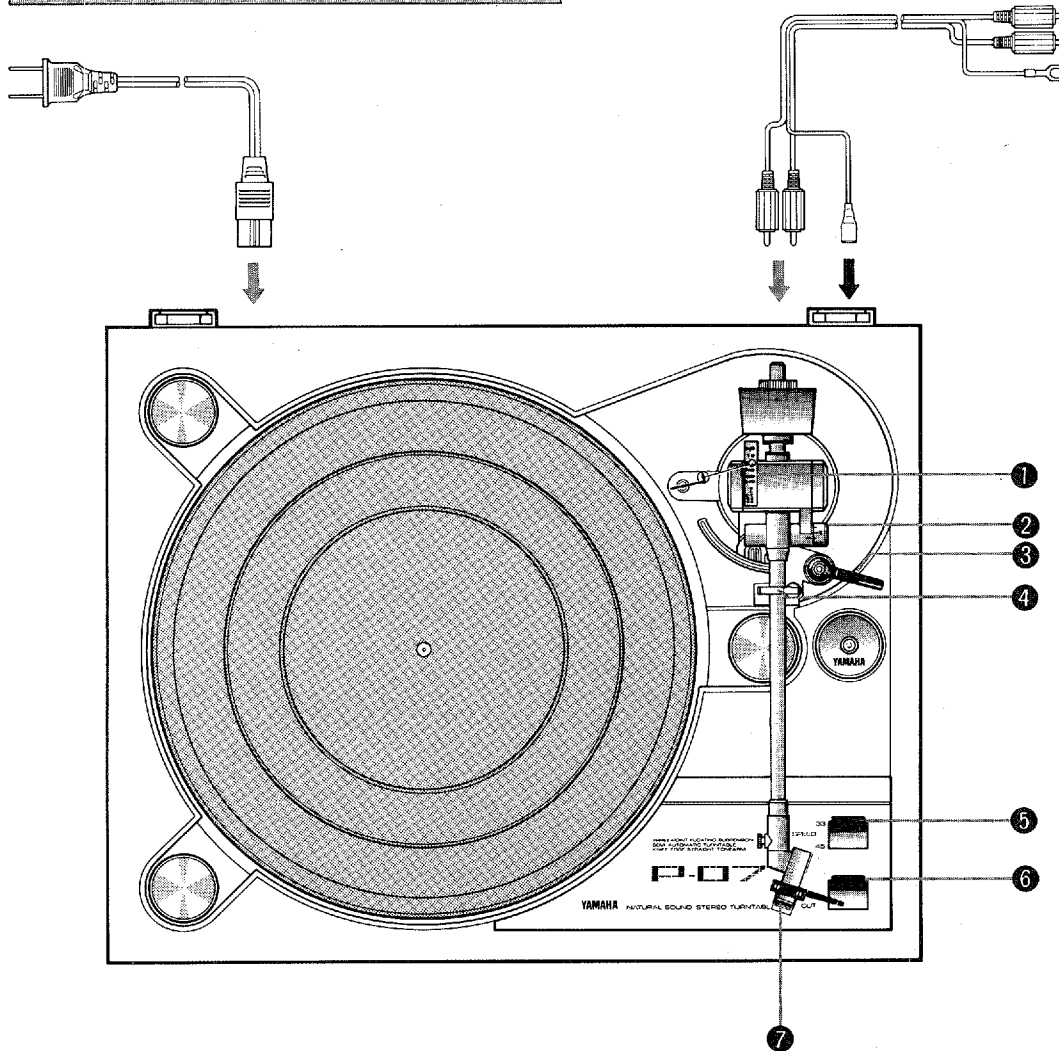


**CAUTION: READ THIS BEFORE
OPERATING YOUR P-07**

- 1**
The P-07 is a sophisticated semi-automatic belt drive turntable. To ensure proper operation for the best possible sound reproduction, please read this manual carefully.
- 2**
Treat the P-07 with the utmost of care, as it is extremely easy to jar fine settings such as tonearm tracking force out of adjustment. If the unit is bumped, it is important that all settings be re-checked.
- 3**
Avoid installing the tonearm side of the P-07 next to the power transformer of your amplifier.
- 4**
Be sure to locate the P-07 in a flat and level place, out of the direct rays of the sun. Also avoid locations subject to vibration and excessive dust, heat, cold or moisture. Also avoid placing it directly in front of or too close to your speakers.
- 5**
If it becomes necessary to relocate the P-07, do so with extreme care. If possible, repack the unit in its original packing for transportation.
- 6**
Do not attempt to clean the P-07 with chemical solvents as the unit is coated with a mat lacquer. Use a clean, dry cloth.
- 7**
It is extremely important that the stylus tip be kept free of dirt. Regular cleaning ensures the best possible sound reproduction.
- 8**
Keep your records clean. Dirty records reduce the life of the stylus. A stylus with a diamond tip should be replaced after every 200–300 hours of use.
- 9**
Be sure to read the “troubleshooting” section for advice on common operating errors before concluding that your P-07 is faulty.
- 10**
Keep this manual in a safe place for future reference.
- 11**
The “feet” on this product are designed for optimum stability and acoustic isolation. Long-term contact with the special materials used in these feet could leave marks or color changes in a shelf or table surface. Accordingly, please avoid placing this product on natural or oiled wood furniture surfaces.
- 12**
Do not turn the Turntable platter forcibly in the opposite direction.

P-07

NAMES OF THE PARTS AND THEIR FUNCTIONS



❶ ANTI SKATE SCALE

Refer to "ADJUST THE ANTI-SKATING FORCE" on page 6.

❷ TRACKING FORCE KNOB

This is a spring type tracking force control.
Refer to "ADJUSTING THE CARTRIDGE STYLUS TRACKING FORCE" on page 6.

❸ CUEING LEVER

This is an oil-damped system which gently raises and lowers the stylus from the record surface.

❹ ARM REST/ARM LOCK

When transporting the turntable, be sure that the tonearm has been secured to the arm rest.

❺ SPEED SELECTOR LEVER

This is used to select the turntable speed.
*When playing a 33-1/3 rpm record, set the lever to "33" and when playing a 45 rpm record, set the lever to "45".

❻ CUT LEVER

Pull this lever toward you when you wish to stop record play. The tonearm will rise and return to the arm rest and the motor will stop.

❼ HEADSHELL AND CARTRIDGE

This headshell with VM-Type cartridge is for exclusive use with P-07. When fitting it into the tonearm pipe, keep it straight and push it into the tonearm end gently so that the connector pins are not damaged in the process.

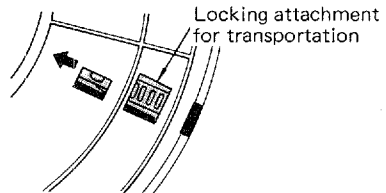
ASSEMBLING THE TURNTABLE AND TONEARM

Be sure to unplug the power cord from AC power outlet until assembly has been completed.

★ Be sure to release the locking attachments for transportation.

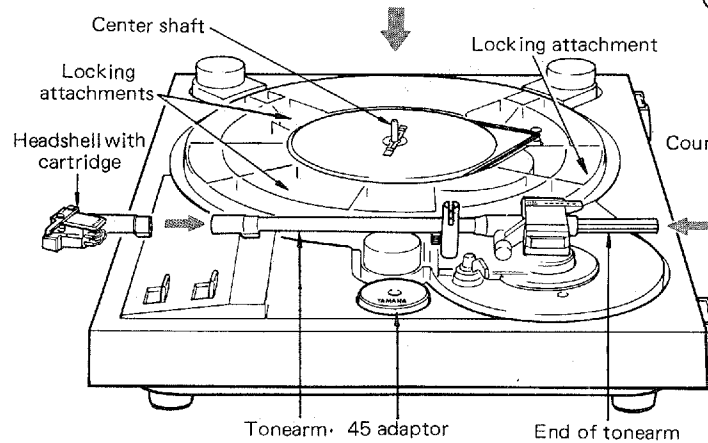
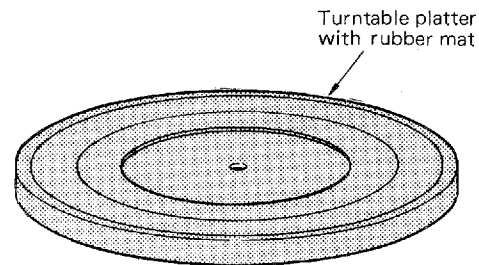
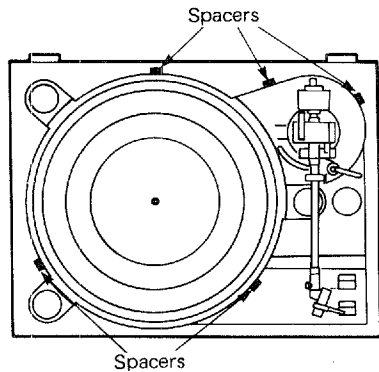
Release each of the locking attachments at three locations by sliding them inward.

Locking attachment for transportation

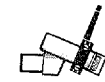


Note) Make sure to lock the locking attachments by sliding them outward before another transportation.

Remove the 5 Spacers shown in figure, before setting the turntable platter.



ACCESSORIES



Headshell with cartridge X 1



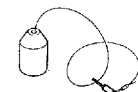
45 adaptor x 1



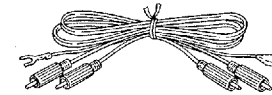
Anti-skating bar x 1



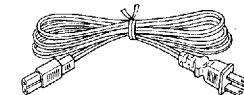
Counter weight x 1



Weight string & Anti-skating pin x 1



Output cord x 1



AC power cord x 1

Balance adjustment knob

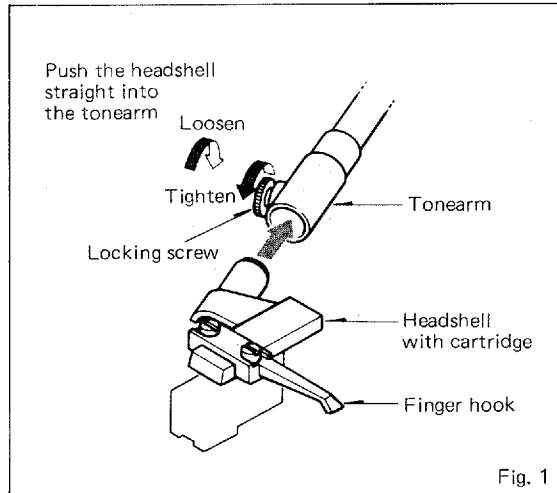
*Be sure that the weight faces the right direction.

■ MOUNTING THE COUNTER WEIGHT

1. To mount the counter weight rotate the Balance adjustment knob in the direction indicated by the arrow.
2. The grooves inside the counter weight and the click stopper on the end of the tonearm interlock, thus when the Balance adjustment knob is rotated in a counter-clockwise direction (as seen from the front of unit) the counter weight will smoothly move forward.

MOUNTING THE HEADSHELL

To mount the headshell, loosen the headshell locking screw and insert the headshell with the phono cartridge in place. Next securely tighten the locking screw. Be sure to keep the headshell straight when inserting it into the tonearm as it is very easy to damage the four contact pins inside the headshell.

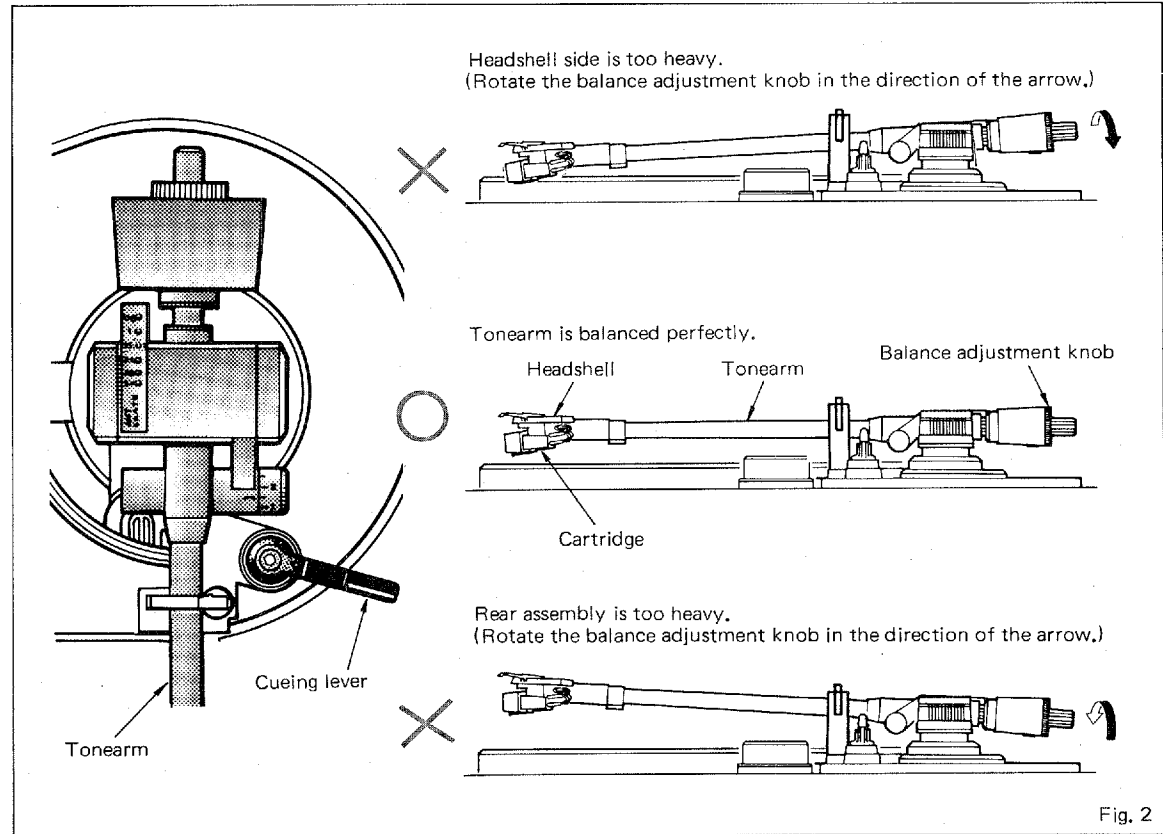


ADJUSTING THE TONEARM BALANCE

Proceed with the balance adjustment after mounting and installing the tonearm assembly. Also, be sure to set the ANTI-SKATING and TRACKING FORCE knob to "0".

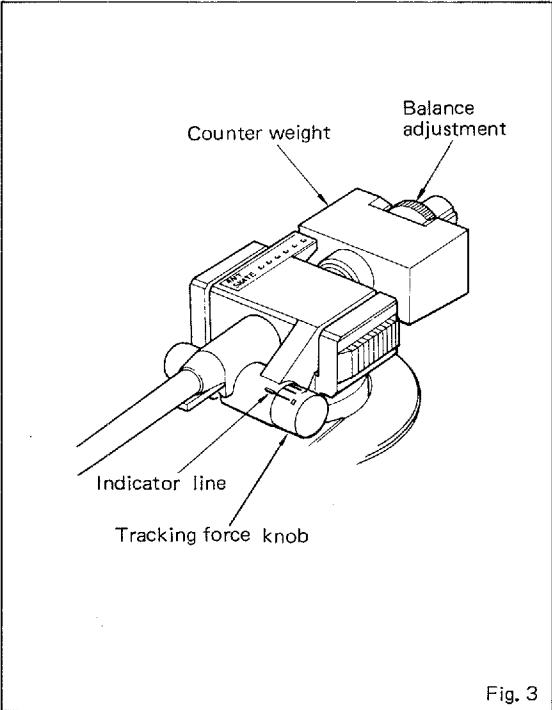
1. Pull the cueing lever to depress the arm lifter.

2. First release the arm lock. Then bring the tonearm away from the arm rest.
3. Carefully release the finger hook and check to see if the tonearm is horizontally balanced.
4. Adjust the counter weight until the tonearm is in a perfectly horizontal position.
5. Once the tonearm has been balanced, return it to the arm rest.



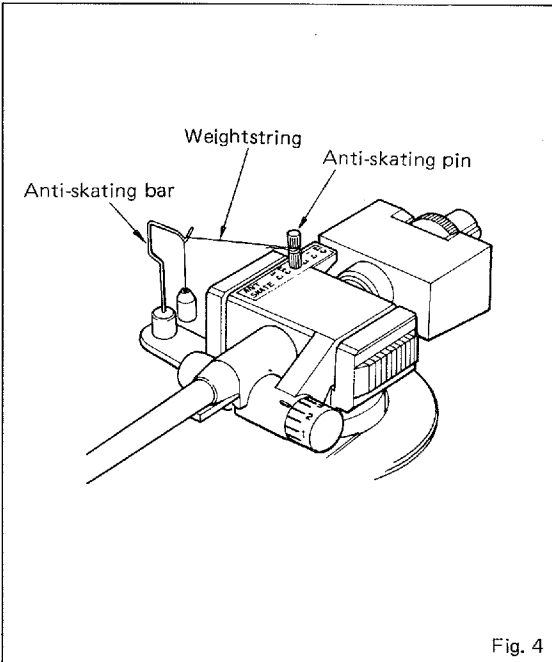
ADJUSTING THE CARTRIDGE STYLUS TRACKING FORCE

Be careful not to move the counter weight after making the balance adjustment. Turn the tracking force knob to align with the specified stylus pressure (2.0) of the cartridge used.



ADJUSTING THE ANTI-SKATING FORCE

1. Insert the Anti-skating bar.
2. Insert the Anti-skating pin into the hole in the anti-skate scale which corresponds to the rated tracking force (2.0) of your cartridge.
3. Hitch the weight string at the Anti-skating pin and the Anti-skating bar so that the weight hangs as shown in Fig. 4.



P-07

CONNECTIONS TO YOUR AMPLIFIER

1. Using the output cord, connect output jacks on the back of the unit and the PHONO jacks on the amplifier. Make sure that the right and left channels are properly matched. The white cord signifies left (L) channel and the red the right (R) channel.
2. Connect the black ground wire to the GROUND (GND) terminal. Depending on the amplifier, better sound is sometimes obtained by not connecting the ground wire.
3. Using the AC power cord, connect the AC inlet on the back of the unit and the AC outlet or an auxiliary outlet on the amplifier.

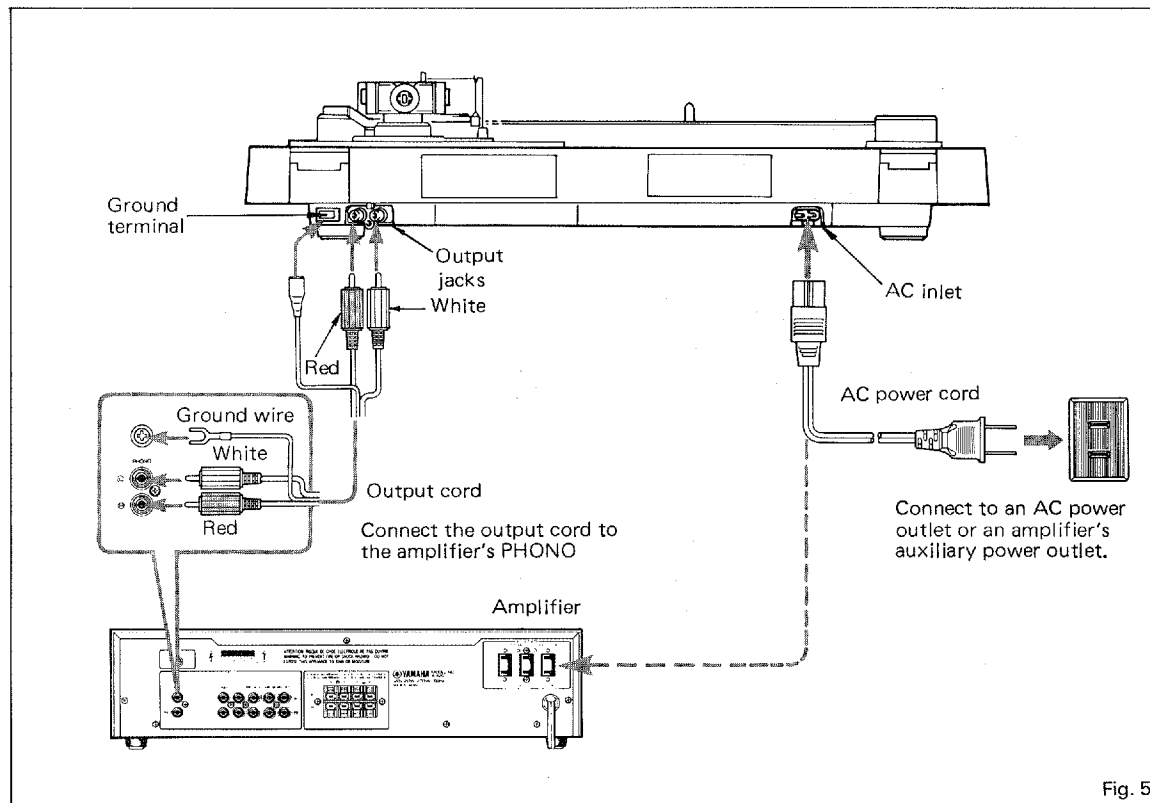


Fig. 5

USING THE CUEING LEVER

In normal operation the cueing lever is set to keep the stylus down. However, if you wish to interrupt record play in order to play a different track, the cueing lever can be used to gently raise and lower the stylus.

1. Raising the stylus:

Push the cueing lever away. The stylus will immediately rise from the record.

2. Lowering the stylus:

Pull the cueing lever toward you. The stylus will now descend onto the record and play will begin.

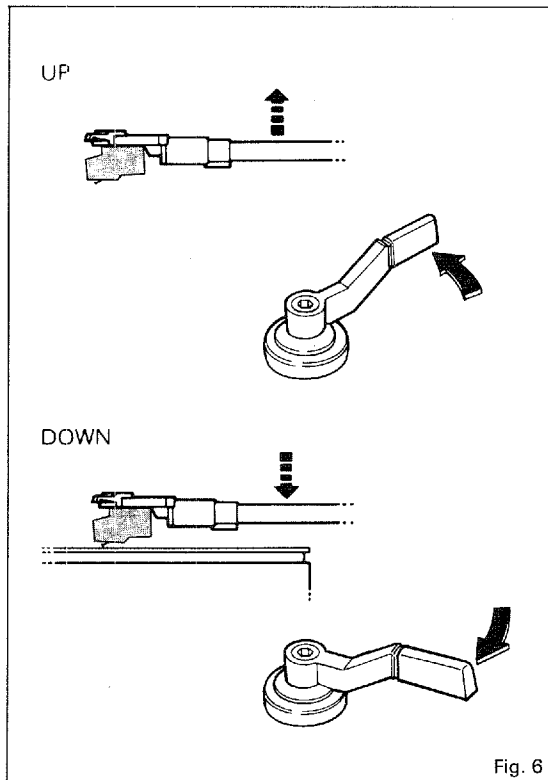


Fig. 6

STYLUS REPLACEMENT

The stylus should be replaced when necessary to prevent any damage to records. The rough standard for replacement is every 200 to 300 hours' use.

- When replacing the stylus, use N-7700. To remove the stylus, pull it out in the direction shown in Figure 7. To install a replacement stylus, do just the reverse.

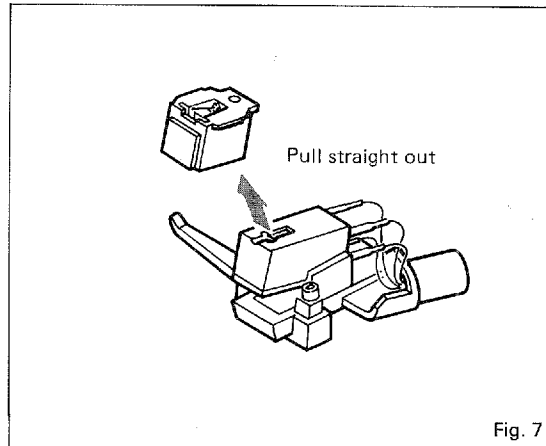


Fig. 7

PLAYING RECORDS

After you have assembled the turntable, made the necessary adjustments and connected the turntable to the amplifier, you are ready to start playing records. Proceed as follows.

1

Please check the connecting cords for the turntable, amplifier and speakers.

2

Setting the Turntable into Operation

- Turn the amplifier's power switch on, and set the input selector to Phono. Set the amplifier's volume level accordingly.

3

- Place your selected record on the turntable platter.
- When playing 45 rpm singles, slip the accessory 45 adaptor over the center shaft.

4

Set the SPEED selector lever so that it corresponds to the rated speed of the record.

5

Make sure that the cueing lever is pushed away.

6

Remove the stylus protection cover.

7

Unlock the arm rest lock and bring the tonearm to the position directly above the selection to be played. As you do this, the platter starts to turn.

8

Pull the cueing lever toward you. The stylus will descend gently onto the record and play will begin.

9

Record play

- Adjust the amplifier's volume and tone controls to your own preferred levels.

10

Once record play has been completed, the tonearm will automatically rise and return to the arm rest and the platter will stop rotating.

- Pull the CUT lever toward you if you want to stop record play.
- Operate the cueing lever (refer to page 8) if you want to interrupt record play.

TROUBLESHOOTING

Before assuming that your turntable is faulty, check the following troubleshooting list which details the corrective action you can take yourself without having to call a service engineer. If you have any doubts or queries, get in touch with your nearest YAMAHA dealer.

Fault	Cause	Cure	
Turntable doesn't turn although tonearm is brought over record.	Power cord is not firmly plugged into AC inlet or AC power outlet or auxiliary power outlet of amplifier.	Connect power cord securely to AC inlet or to AC power outlet or the amplifier's auxiliary power outlet.	
	Drive belt not installed correctly	Reinstall	
Tonearm is not properly balanced when cartridge is replaced.	Cartridge is too heavy or too light.	The proper cartridge weight ranges from 2.5 to 9 grams. If the weight of the cartridge used is within this range, rebalance following Fig. 2.	
There is no sound or low sound although the stylus descends to the record surface.	Poor headshell connector pin connections.	Mount the headshell firmly onto the tonearm.	
	Amplifier's volume control is at lowest position.	Turn up the volume control to the required position.	
	Poor turntable output cord connections.	Check each connection for the turntable and amplifier.	
The body of the cartridge catches on the record surface.	Tracking force is too high.	Re-adjust to the proper tracking force.	
Reproduced sound is distorted and unpleasant, particularly the treble, with a clicking or scraping noise.	Turntable is not set horizontally.	Install the turntable horizontally.	
	Dust on stylus.	Clean the stylus with a stylus cleaning brush.	
	Worn stylus.	Replace the stylus.	
	Damaged or dusty, dirty record.	Replace with a new record, or clean the record.	
	Tracking force is either too high or too low.	Readjust the tracking force for the cartridge to the recommended value.	
Reproduced sound quivers and a howl (acoustic feedback) is heard.	Amplifier's treble control is turned up too high.	Try returning the treble control to the FLAT position.	
	Installation locations of speaker systems and turntable are too close together or turntable is unstable and vibrations are being transmitted to cause resonance.	Move the turntable to a stable location, move it some distance from the speakers, or change the speaker locations (in particular, avoid installation in corners).	
	A loud humming sound is heard during record play.	Poor turntable output cord connections.	Check each connection for the turntable and amplifier.
		Poor headshell connector pin connections.	Mount the headshell properly onto the tonearm.

P-07

SPECIFICATIONS

■ TURNTABLE MOTOR SECTION

Drive System	Belt drive
Motor	FG Servo DC motor
Platter	29cm (11-7/16") aluminum, Weight 540g (1.2 lbs) (including rubber mat)
Turntable Moment of Inertia	70 kg-cm ² (including rubber mat)
Speed	33-1/3 & 45 r.p.m.
Signal-to-Noise Ratio	Better than 72dB (DIN-B.)
Wow and Flutter	Less than 0.04% wrms

■ TONEARM SECTION

Arm Type	Dynamic balance knife-edge, straight arm
Effective Length	222 mm (8-3/4")
Overhang	16 mm (5/8")
Tracking Force	Dynamic balanced, 0-2.5g, 0.1g steps
Horizontal Tracking Error	-1° to 3°
Anti-Skating	Weight string, 1-2g, 0.2g steps
Offset Angle	23°
Arm Lifter	Oil damped system
Sensitivity	Vertical 20 mg, Horizontal 30 mg
Permissible Cartridge Weight	2.5-9 g
Headshell	Resin, shield type Weight 3.2 g (Including Finger hook, Nuts and Screws)

■ CARTRIDGE

Type	CG-7700 VM Type
Output	2.5mV (1kHz, 5 cm/sec. peak 45°)
Tracking Force	2.0g ± 0.5g
Weight	5g

■ GENERAL

Power Supplies	120V AC 60Hz
Power Consumption	3W
Dimensions (WxHxD)	435 x 115 x 355 mm (17-1/8" x 4-1/2" x 13-15/16")
Weight	3.5 kg (7.7 lbs)

Specifications subject to change without notice.